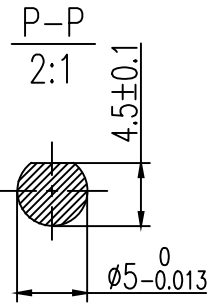
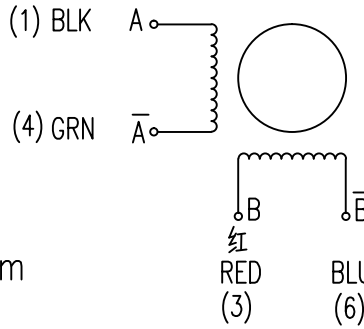


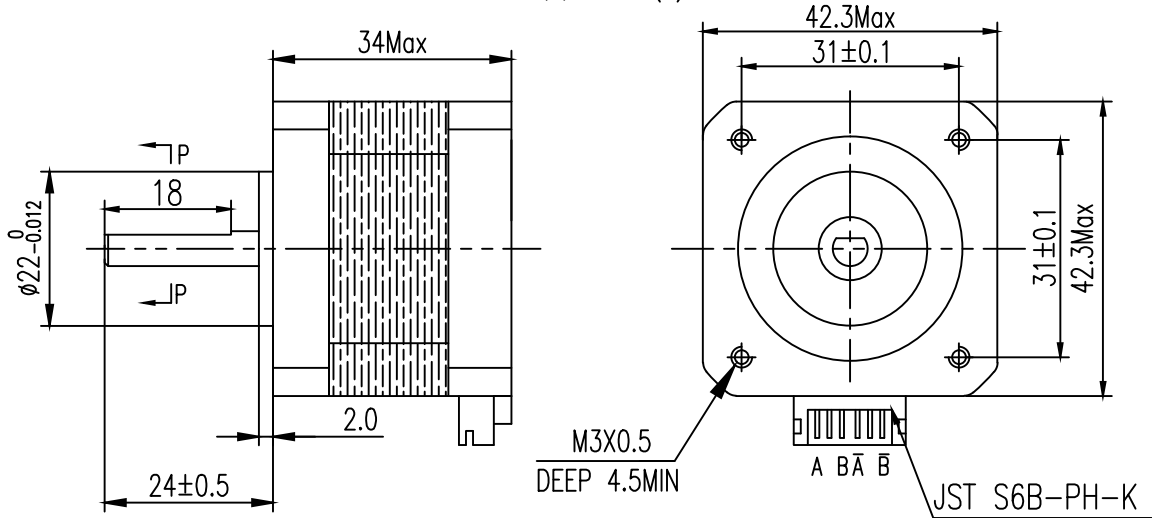


# HYBRID STEPPING MOTOR MOD.

☐ COLORS OF LEAD WIRES



☐ DIMENSIONS unit=mm



☐ SPECIFICATIONS

PHASE	2	PHASE	COMMENT
STEP ANGLE	0.9±5%	°/STEP	
VOLTAGE	2.04	V	
CURRENT	1.2	A/PHASE	
RESISTANCE	1.7 ±10%	Ω/PHASE	
INDUCTANCE	3.0 ±20%	mH/PHASE	
HOLDING TORQUE	21	N.cm	
DETENT TORQUE		N.cm	
INSULATION CLASS	B		
LEAD STYLE	AWG24 UL1007		

SMNM17S09KG21